	<b>P06.2 – TASER DART REMOVAL</b>	
	Version Date: 2025-06-24	Effective Date: 2025-07-02 (07:00)
PCP / ICP / ACP / BPSDU	ADULT / ADOLESCENT	

### INDICATIONS

- To remove the dart after the deployment of a conductive energy device

### WARNINGS

- If the dart has attached to a higher-risk locations, it must be removed by a qualified health care provider at an acute care facility
  - Face / head / neck
  - Axilla
  - Breasts (female only)
  - Genitals
  - Hand or foot joint

### EQUIPMENT

- Nonsterile gloves
- Cartridge safety clip (*or surgical clamp*)
- Bandage
- Evidence bag<sup>9</sup>
- Biohazard container

### PROCEDURE

1. Perform hand hygiene and don nonsterile gloves.
2. Explain the procedure to the patient and obtain verbal consent. With an adolescent implied parental consent can be assumed if a parent / guardian is not readily available.
3. Confirm that both wires are disconnected from the gun.
4. Expose the area where the dart is located.
5. With one hand to spread the skin tautly around wound area, keeping fingers at least one inch away from wound site.

6. If available use the cartridge safety clip for removal (figure 1). Slide the safety clip between the skin and the probe. Pull the safety clip straight up. Do not twist as the barbed tip may cause further injury.  
If a safety clip is not available, remove the dart by grasping the shaft with a surgical clamp (figure 2). Pull the clamp straight up, again avoiding any twisting motion.
7. Verify that the entire dart has been removed.
8. Confirm with law enforcement if the dart is required for evidence. Otherwise, dispose of it into a biohazard container.
9. Assess the wound and surrounding tissue. Clean and apply a bandage or other appropriate dressing.
10. If the patient's immunization status is unknown or it has been 5 years or more since their last booster, advise or ensure that the patient receives, or is advised to receive, a tetanus booster dose within 72 hours.
11. Remove your gloves and repeat hand hygiene.
12. Document the procedure in the patient care record (PCR) or electronic patient record (EPR). Make note of any injuries that may have been sustained by the dart deployment.

FIGURE 1

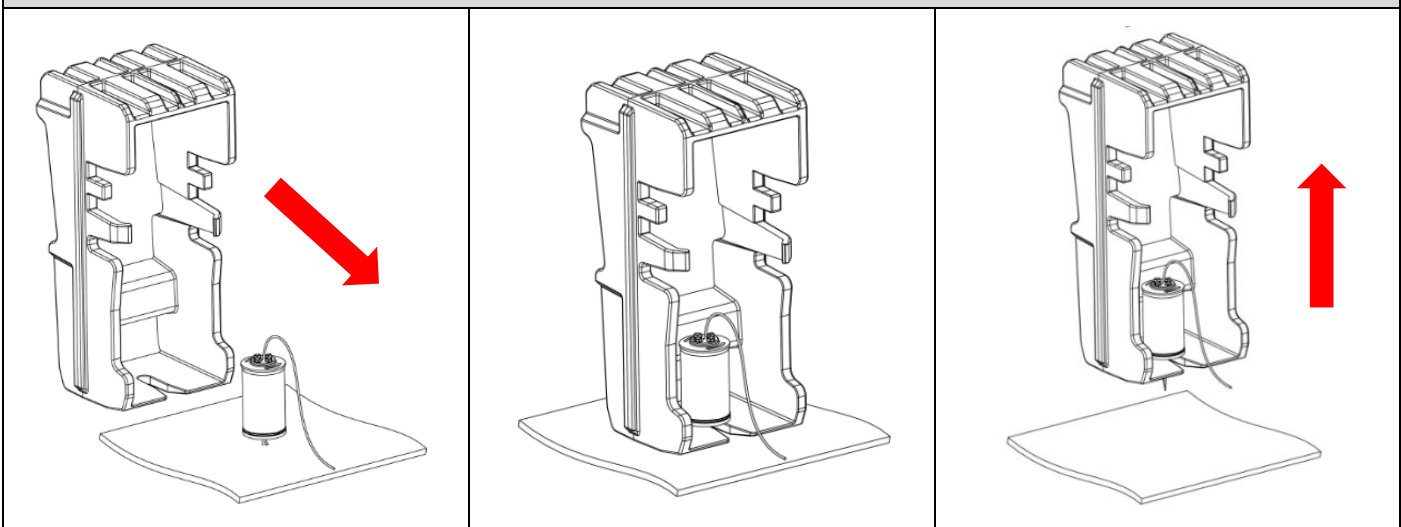




FIGURE 2



**LINKS**

- G03 - Management after Conductive Energy Device Deployment

**APPROVED BY**

	
EMS Medical Director	EMS Associate Medical Director

**VERSION CHANGES (refer to X09 for change tracking)**

- New